

SUPERCARE TOILET SUITE

WELS Reg No: L05778

SPECIFICATIONS

TOILET SUPERCARE



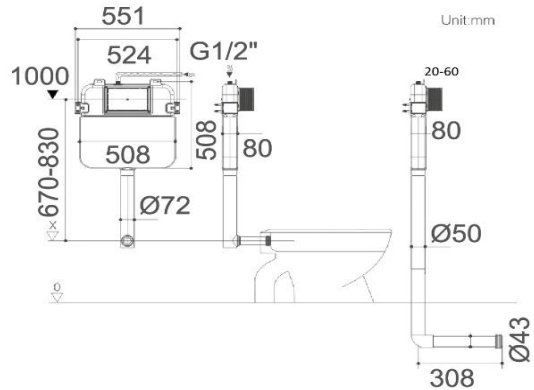
Rimless



Extra Height



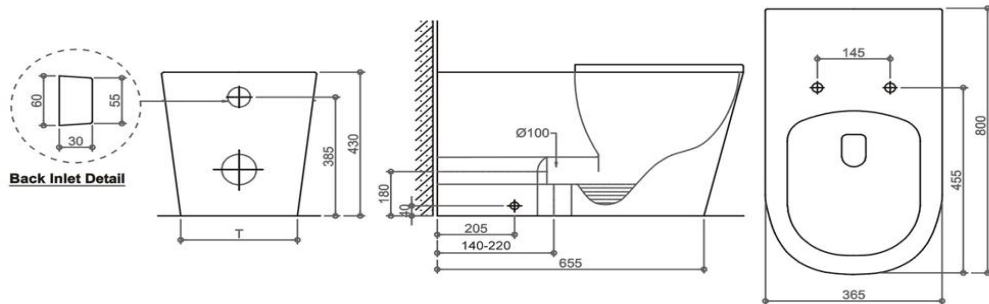
Accessible Compliant



BACK VIEW

SIDE VIEW

TOP VIEW



- Raised Height Pan with White Button
- Suitable for S or P Trap
- Dual Flush: 4.5L full flush and 3L half flush
- 255 - 285mm (S-Trap)/ 180mm (P-Trap)
- Ambulant Toilet Suite compliant with AS1428.1 for use in residential and commercial bathrooms

WARRANTY INFORMATION:

- 15 Years Replacement Warranty on Ceramic
- 3 Year Replacement on Toilet Valves
- 1 Year Replacement for Toilet Seats and Hinges
- All products have a full 1 year in house labour warranty from date of purchase (Excluding Seat and Hinges)



ADDRESS: 42 Castro Way, Derrimut VIC 3026
PHONE: (03) 8390 6300
OFFICE: ect_sales@outlook.com
SERVICE: ect_service@outlook.com
WEBSITE: www.zenmo.com.au